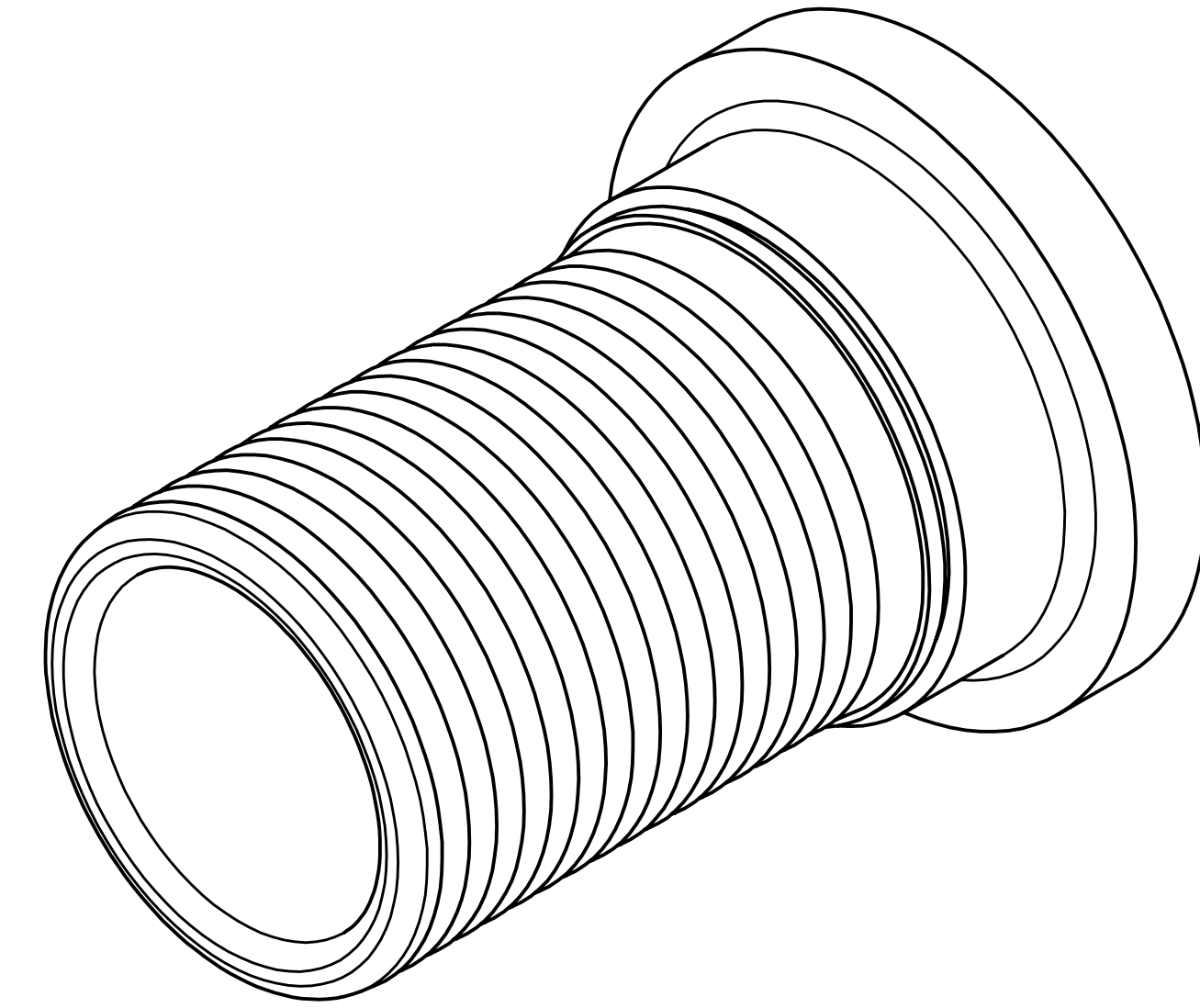
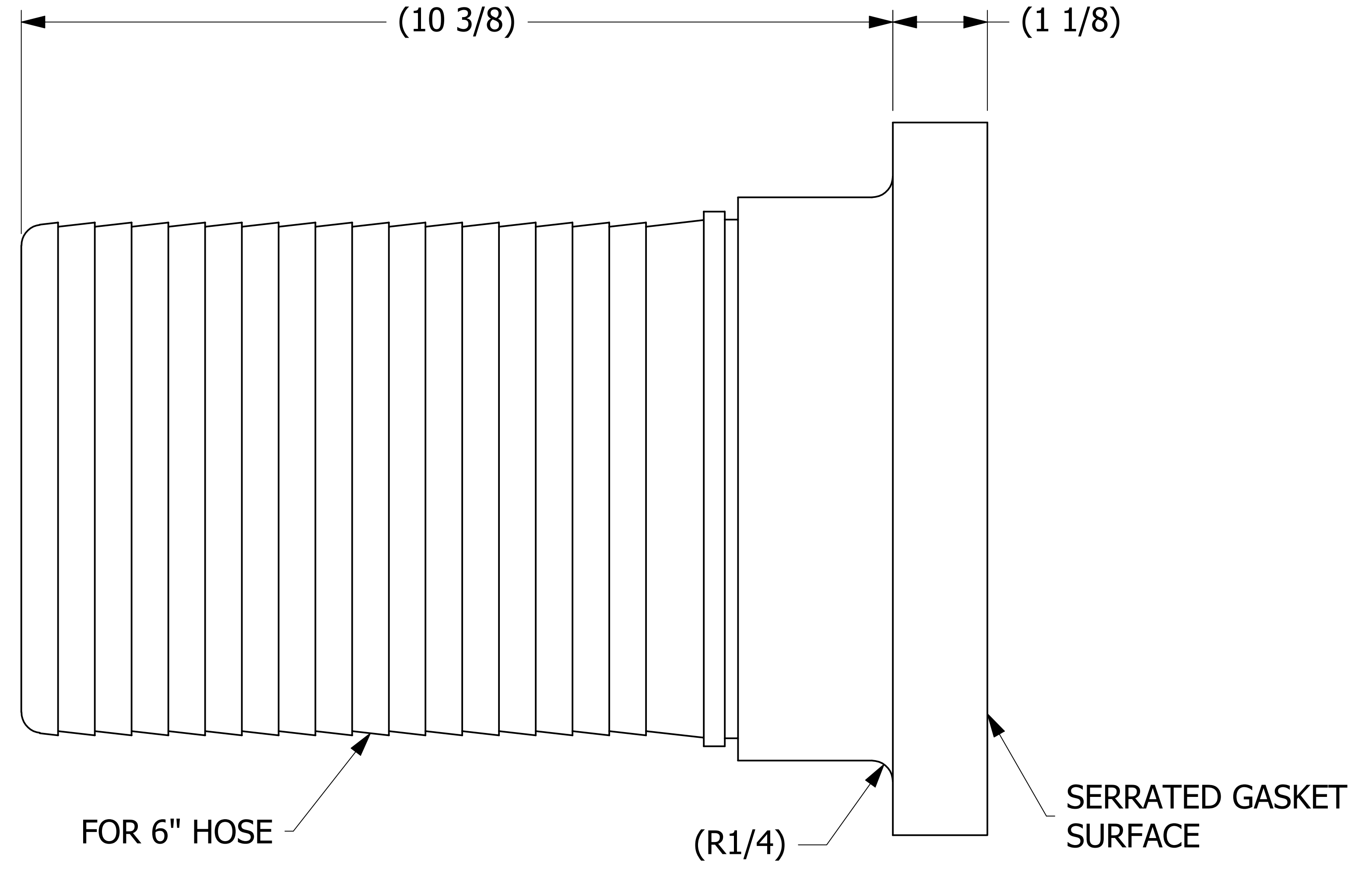
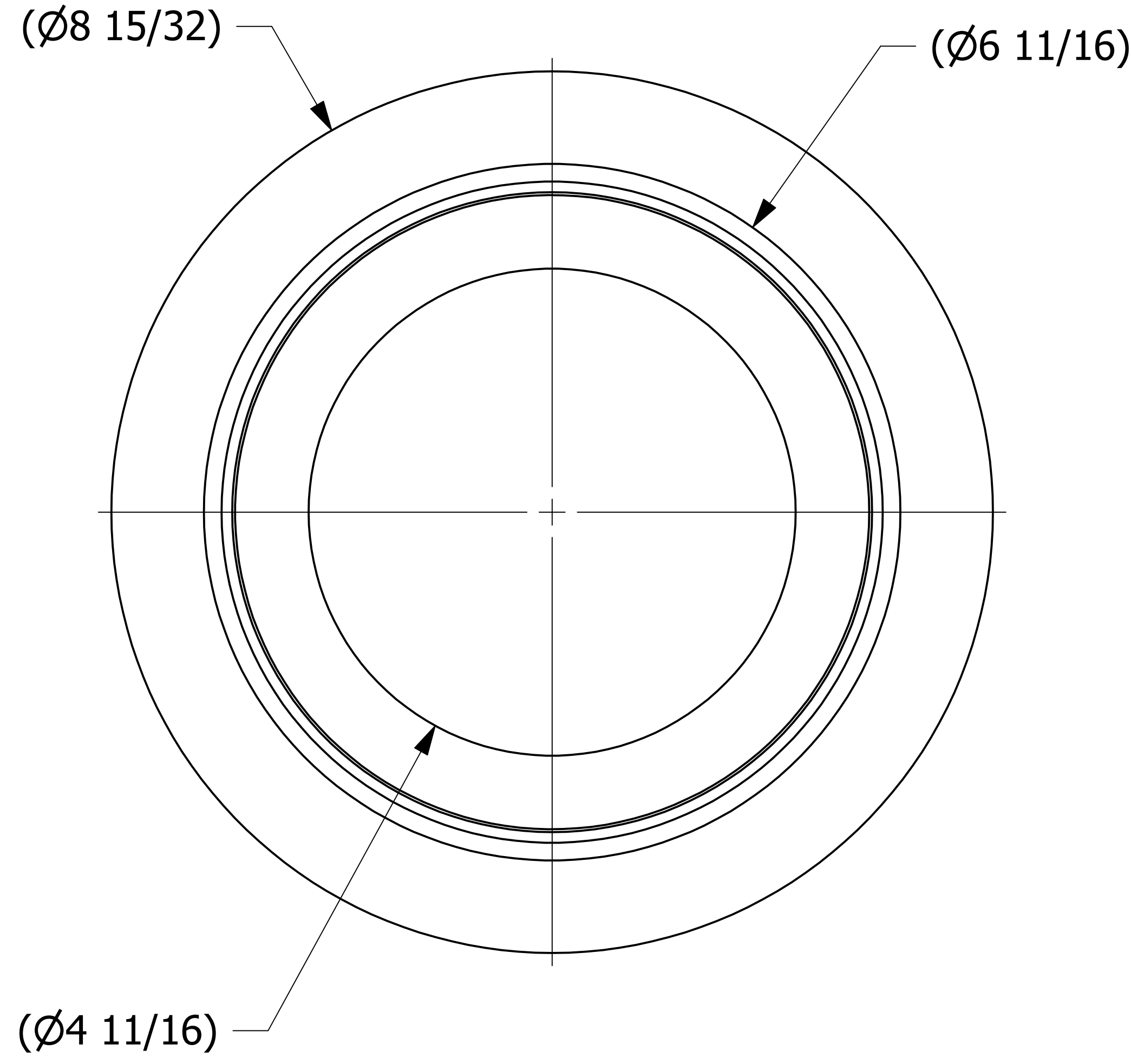


SALES DRAWING SALES DRAWING

SALES DRAWING SALES DRAWING



ISOMETRIC VIEW
SCALE 1 : 2

<small>UNLESS OTHERWISE SPECIFIED DIMENSIONAL TOLERANCES</small> FRACTIONAL: ±1/16 X.XX: ±.03 X.XXX: ±.015 ANGULAR: ±1° <small>DEBURR ALL SHARP EDGES. ALL MACHINED SURFACES TO HAVE A 125 RMS FINISH UNLESS NOTED OTHERWISE.</small> <small>THIRD ANGLE PROJECTION</small>	DRAWN BY:	CHL
	CHECKED BY:	PJG
	PROTOTYPE BY:	CHL
	PROTOTYPE DATE:	11/12/2008
	APPROVED FOR PRODUCTION BY:	BG
	PRODUCTION DATE:	9/13/2013

B	WEB	1-5-18	ADDED NOTES 2,3,&4
A	BG	9-13-13	DRAWING RELEASED FOR PRODUCTION
REV	BY	DATE	DESCRIPTION
SALCO PRODUCTS, INC.			
PART NAME: HOSE BARB 6"			
MATERIAL: SALCO PE			
PROJECT #:	081111	SHEET #:	1 OF 1
DRAWING #:	D26148	PART #:	HS6HBP
		SCALE:	1:1

THIS PRINT, PROPERTY OF SALCO PRODUCTS INC. CONTAINS PROPRIETARY INFORMATION AND MUST NOT BE COPIED, REPRODUCED, OR USED DETRIMENTALLY TO OUR INTEREST.